



# PRODUCTS CATALOG

ELECTRICAL ENCLOSURES & MODULAR CABINETS



# 20

[exmweb.com](http://exmweb.com)

# NEMA 4-12 ENCLOSURES

5412 ESPR

## WATER, OIL & DUST TIGHT PRESSURIZATION ENCLOSURES (WELDED FEET)

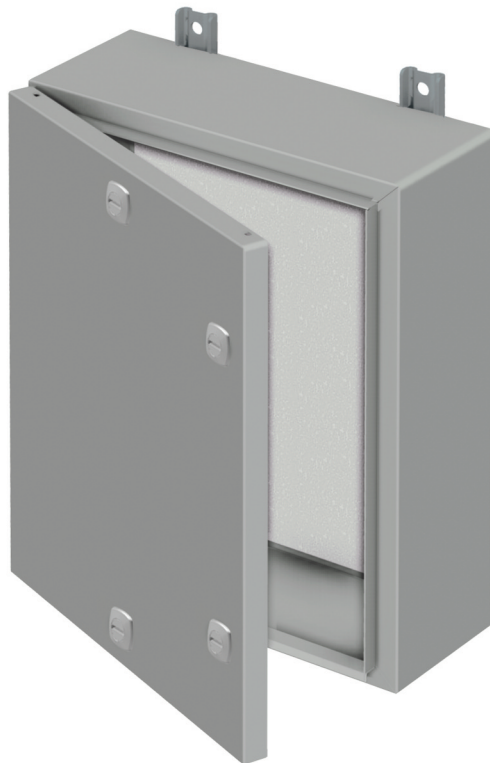
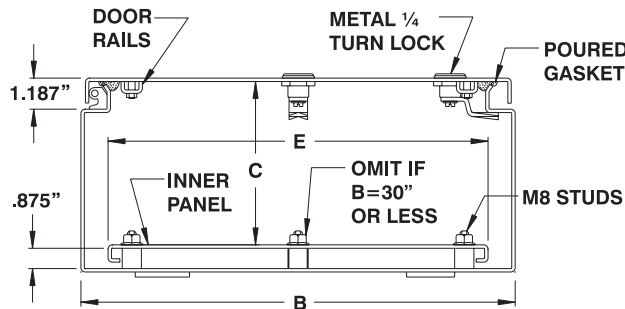
The 5412 ESPR pressurized enclosures are used in conjunction with a purging/pressurization system in hazardous locations as an alternative to NEMA 7 and 9 enclosures. They provide protection against dust, oil and jets of water coming from any direction. The 5412 ESPR are made of high quality 14 GA or 16 GA steel, with continuously welded corner seams. The opening has a curled lip around all sides to increase rigidity and prevent dripping water from entering the enclosure

when the door is open. A high quality, robotically poured-in-place, seamless gasket ensures a complete and durable water tight seal. Special hinges, designed especially for use in pressurization enclosures, provide optimal protection. The door is secured by a series of quarter-turn locks. External mounting tabs are welded onto the back of the cabinet. Each enclosure comes complete with a 12 GA galvanized inner panel, which is double bent\* for maximum rigidity and mounts on

M8 welded studs. Enclosures are finished with heat fused powder paint, electrostatically applied on a pretreated base. Box is ANSI/ASA 61 smooth gray.

**CSA Certified / UL Listed  
NEMA/EEMAC 4-12 / IP66**

**Refer to p.734 to validate choice of substrate for the application**



CATALOG NUMBER	DIMENSIONS					SHIP WGT LBS.
	A	B	C	D	E	
5412 ESPR121206	12	12	6	10	10	19
5412 ESPR122406	12	24	6	10	22	35
5412 ESPR161206	16	12	6	14	10	24
5412 ESPR161606	16	16	6	14	14	31
5412 ESPR162006	16	20	6	14	18	37
5412 ESPR201206	20	12	6	18	10	29
5412 ESPR201606	20	16	6	18	14	37
5412 ESPR202006	20	20	6	18	18	45
5412 ESPR202406	20	24	6	18	22	53
5412 ESPR241206	24	12	6	22	10	35
5412 ESPR241606	24	16	6	22	14	44
5412 ESPR242006	24	20	6	22	18	53
5412 ESPR242406	24	24	6	22	22	62
5412 ESPR301606	30	16	6	28	14	53
5412 ESPR302006	30	20	6	28	18	65
5412 ESPR302406	30	24	6	28	22	76
5412 ESPR362406	36	24	6	34	22	90
5412 ESPR363006	36	30	6	34	28	109
5412 ESPR122408	12	24	8	10	22	38
5412 ESPR161208	16	12	8	14	10	27
5412 ESPR161608	16	16	8	14	14	34
5412 ESPR162008	16	20	8	14	18	41
5412 ESPR201208	20	12	8	18	10	33
5412 ESPR201608	20	16	8	18	14	41
5412 ESPR202008	20	20	8	18	18	49
5412 ESPR202408	20	24	8	18	22	57
5412 ESPR241208	24	12	8	22	10	38
5412 ESPR241608	24	16	8	22	14	48
5412 ESPR242008	24	20	8	22	18	57
5412 ESPR242408	24	24	8	22	22	67
5412 ESPR243008	24	30	8	22	28	81
5412 ESPR301208	30	12	8	28	10	46
5412 ESPR301608	30	16	8	28	14	58
5412 ESPR302008	30	20	8	28	18	70
5412 ESPR302408	30	24	8	28	22	81
5412 ESPR303008	30	30	8	28	28	98
5412 ESPR303608	30	36	8	28	34	116
5412 ESPR362408	36	24	8	34	22	95
5412 ESPR363008	36	30	8	34	28	116
5412 ESPR363608	36	36	8	34	34	136
5412 ESPR422408	42	24	8	40	22	110
5412 ESPR423008	42	30	8	40	28	133



p.506



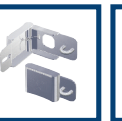
p.506



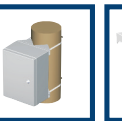
p.506



p.506



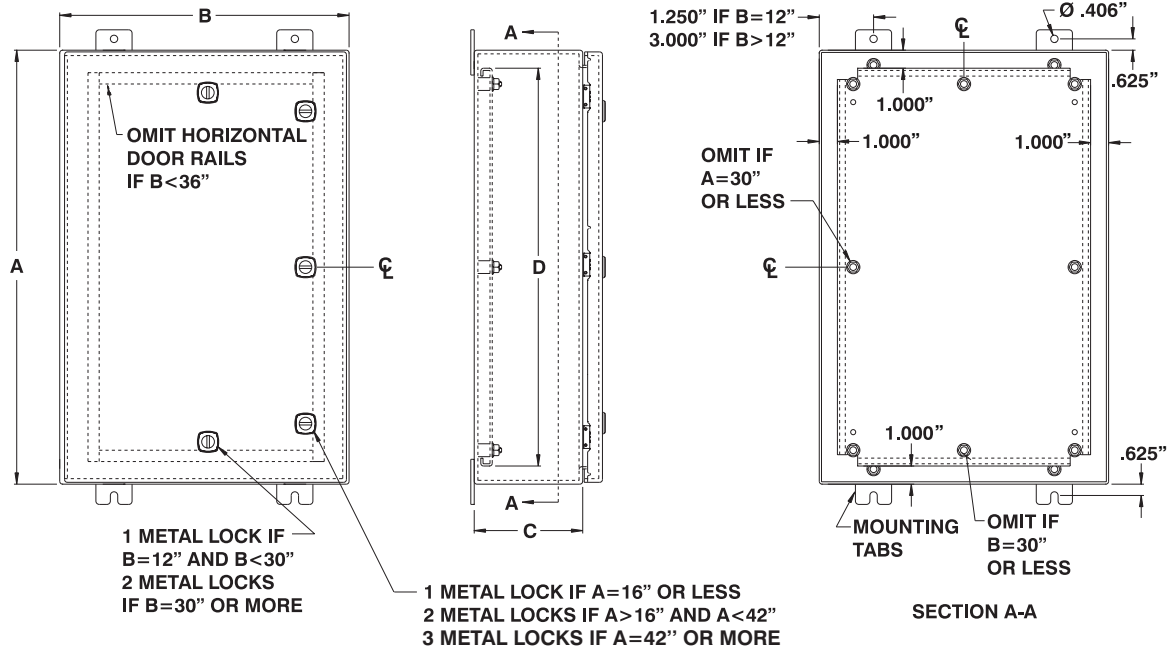
p.524



p.538



p.538



CATALOG NUMBER	DIMENSIONS					SHIP WGT LBS.
	A	B	C	D	E	
5412 ESPR423608	42	36	8	40	34	156
5412 ESPR482408	48	24	8	46	22	124
5412 ESPR483008	48	30	8	46	28	150
5412 ESPR483608	48	36	8	46	34	177
5412 ESPR603608	60	36	8	58	34	218
5412 ESPR161210	16	12	10	14	10	30
5412 ESPR201610	20	16	10	18	14	44
5412 ESPR202010	20	20	10	18	18	53
5412 ESPR241210	24	12	10	22	10	42
5412 ESPR242010	24	20	10	22	18	62
5412 ESPR242410	24	24	10	22	22	71
5412 ESPR302010	30	20	10	28	18	74
5412 ESPR302410	30	24	10	28	22	86
5412 ESPR362410	36	24	10	34	22	101
5412 ESPR363010	36	30	10	34	28	122
5412 ESPR423010	42	30	10	40	28	140
5412 ESPR423610	42	36	10	40	34	164
5412 ESPR483010	48	30	10	46	28	158
5412 ESPR483610	48	36	10	46	34	185
5412 ESPR603610	60	36	10	58	34	227
5412 ESPR201612	20	16	12	18	14	48
5412 ESPR202012	20	20	12	18	18	57
5412 ESPR202412	20	24	12	18	22	66
5412 ESPR242012	24	20	12	22	18	66
5412 ESPR242412	24	24	12	22	22	76
5412 ESPR302412	30	24	12	28	22	92
5412 ESPR303012	30	30	12	28	28	110
5412 ESPR362412	36	24	12	34	22	107

CATALOG NUMBER	DIMENSIONS					SHIP WGT LBS.
	A	B	C	D	E	
5412 ESPR363012	36	30	12	34	28	129
5412 ESPR363612	36	36	12	34	34	150
5412 ESPR422412	42	24	12	40	22	118
5412 ESPR423012	42	30	12	40	28	147
5412 ESPR423612	42	36	12	40	34	172
5412 ESPR482412	48	24	12	46	22	138
5412 ESPR483612	48	36	12	46	34	193
5412 ESPR602412	60	24	12	58	22	169
5412 ESPR603612	60	36	12	58	34	236
5412 ESPR723012	72	30	12	70	28	240
5412 ESPR723612	72	36	12	70	34	279
5412 ESPR242016	24	20	16	22	18	74
5412 ESPR242416	24	24	16	22	22	86
5412 ESPR302416	30	24	16	28	22	102
5412 ESPR362416	36	24	16	34	22	119
5412 ESPR363016	36	30	16	34	28	142
5412 ESPR423616	42	36	16	40	34	187
5412 ESPR483616	48	36	16	46	34	210
5412 ESPR603616	60	36	16	58	14	255
5412 ESPR723016	72	30	16	70	28	260
5412 ESPR723616	72	36	16	70	34	301
5412 ESPR302420	30	24	20	28	22	113
5412 ESPR363020	36	30	20	34	28	155
5412 ESPR483620	48	36	20	46	34	226
5412 ESPR603620	60	36	20	58	34	274
5412 ESPR723020	72	30	20	70	28	280
5412 ESPR302424	30	24	24	28	22	123
5412 ESPR723024	72	30	24	70	28	300

\* Only panels with sides 20" or more are double bent.

**Insulated box?** To have your enclosure insulated, add suffix "TH"

i.e.: 5412 ESPR121206TH ← Insulated steel enclosure

